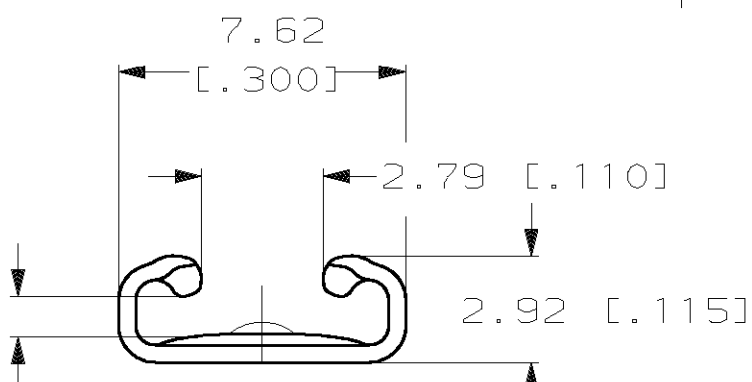
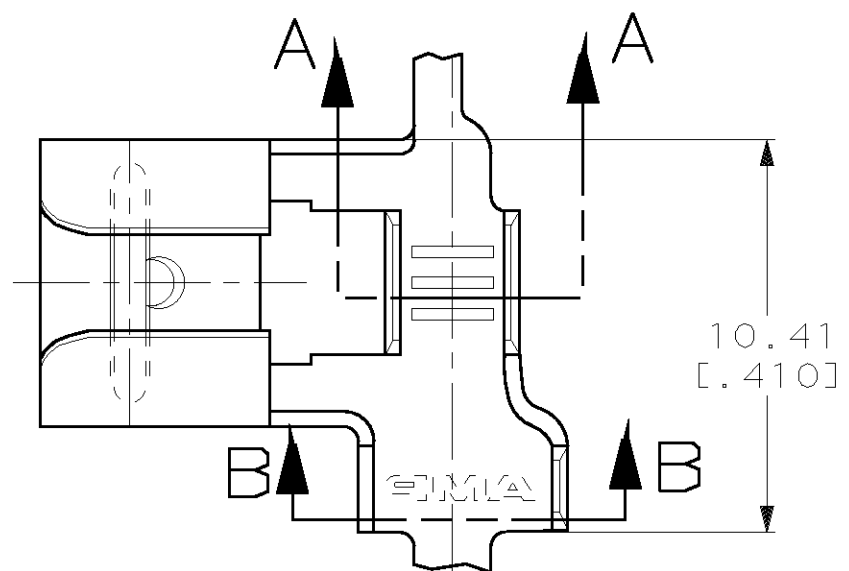


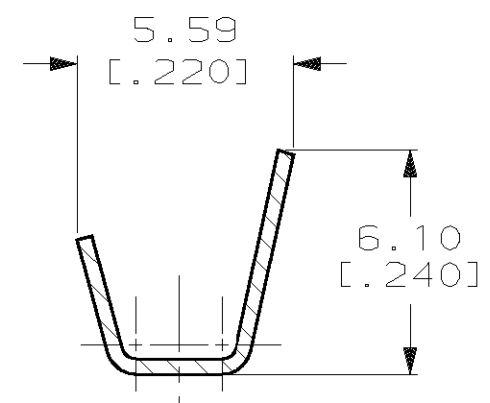
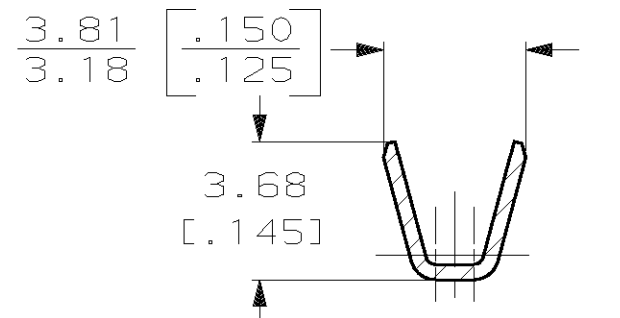
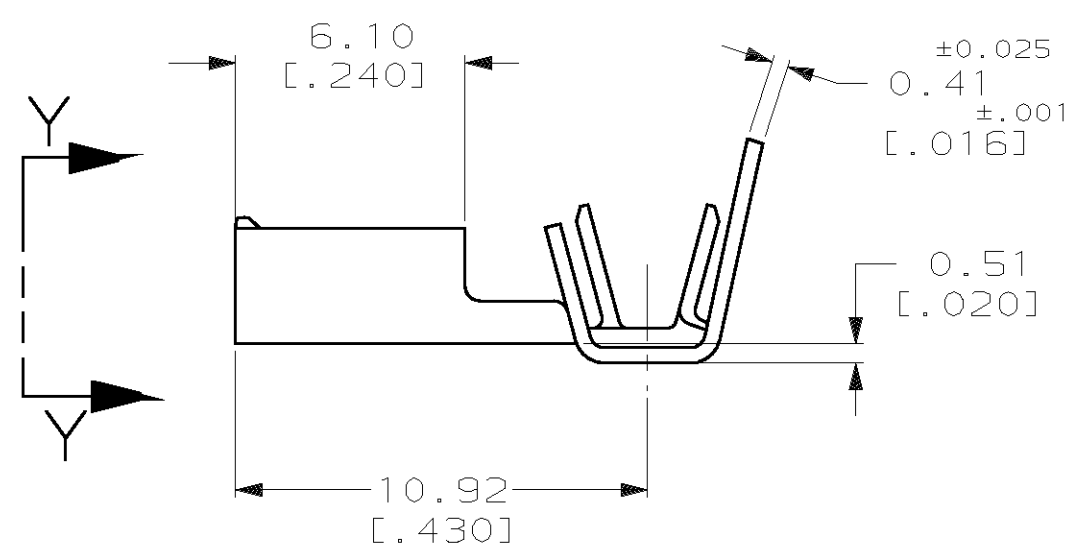
THIS DRAWING IS UNPUBLISHED. RELEASED FOR PUBLICATION, 19 .
 © COPYRIGHT 19 BY AMP INCORPORATED. ALL INTERNATIONAL RIGHTS RESERVED.

LOC	DIST	P	F	REVISIONS				
AF	50			ZONE	LTR	DESCRIPTION	DATE	APPD
					L	REV PER 063A-0125-01	20FEB01	JR/PD



FITS 6.35 [.250] SERIES FASTON RECEPTACLE
 VIEW Y-Y

1 CONTINUOUS STRIP ON REELS.



SECTION A-A

SECTION B-B

TIN	2.79-4.06	0.8-2.0mm ²	0.81	63096-2
-	[.110-.160] DIA	[18-14] AWG	[.032]	63096-1
FINISH	INSULATION RANGE	WIRE SIZE	MATING TAB THK ±0.025 [.001]	PART NO

DO NOT SCALE PRINT. UNLESS SPECIFIED DIMENSIONS IN mm [INCHES] TOLERANCES ON: 2 PLC DEC ± - 3 PLC DEC ± 0.38 [.015] ANGLES ± -	DR	4/15/91 JR RUTH
	CHK	4/15/91 MS FEHER
	APPD	4/15/91 C MEYERS
	APPD	4/15/91 D REINER
MATERIAL	4M BRASS	
FINISH	SEE TABLE	
PRODUCT SPEC	-	
APPLICATION SPEC	-	
WEIGHT	-	

AMP AMP Incorporated Harrisburg, PA 17105-3608		
NAME RECEPTACLE, FASTON, FLAG, 6.35 [.250] SERIES		
SIZE B	CAGE CODE 00779	DRAWING NO 63096
SCALE 5:1	SHEET 1 OF 1	